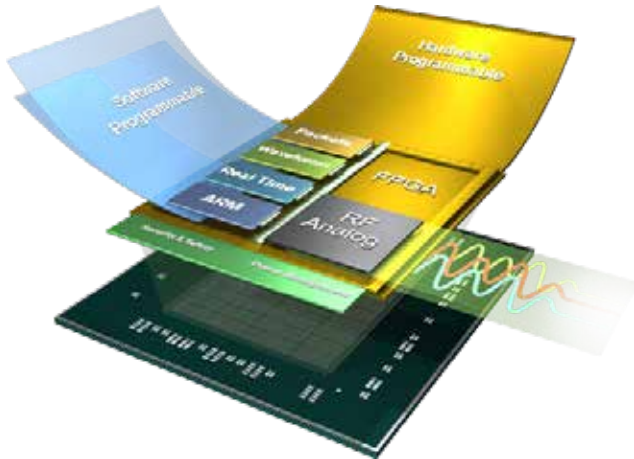


Ethernet-based system development tool



Radio Frequency System-on-Chip is the latest defense-grade product from Xilinx.

Zynq® UltraScale+™ RFSoc effectively brings together RF front-end and multiprocessing technologies into a powerful monolithic device package.

Source: Xilinx

FPGA + RFSoc and Daqscribe recorders for intelligent radio applications

Wireless comms



- ✓ 5G baseband
- ✓ μ /mmWave
- ✓ MIMO
- ✓ O-RAN

Cable TV access



- ✓ R-PHY node
- ✓ DOCSIS 3.1

Radar



- ✓ phased array radar
- ✓ synthetic aperture radar
- ✓ 3D radar

Autonomous vehicles



- ✓ LiDAR
- ✓ IoT ((i.e., MIPI® DSI)
- ✓ Test & Measurement

OUR SOLUTION

- ✓ Real-time Ethernet statistics monitoring
- ✓ Protocol-agnostic packet capture
- ✓ **A Target Ethernet Protocol Development tools**
- ✓ Sustained 100% Ethernet recording performance
- ✓ Playback up to the full link-rate(s)

DAQSCRIBE HIGH-SPEED RECORDERS

DDR7000-R-10GbE/25GbE/40GbE/100GbE

Standard rackmount capture & record system

- ✓ Max system throughput: 100Gbps
- ✓ Storage: 25TB, 50TB, 180TB SSDs
- ✓ SWaP: H 7" (178mm) x W 17.2"(437mm) x D 20.5" (521mm) | 50bs(24kg) | ~865W

10GbE-links x 8 **25GbE-links** x 4 **40GbE-links** x 2 **100GbE-links** x 2



DDR70-Mini-20G

Mini dual 10GbE-Link capture & record system

- ✓ Max system throughput: 20Gbps
- ✓ Storage: 3TB, 6TB, 12TB, 25TB*, 30TB
- ✓ SWaP: 10"(254mm)W X 2"(43mm)H X 9"(226mm)D | 6lbs(3.2kg) | ~150W

10GbE-link x 2 **10/100/1000MbE links** Optional



Removable hot-swappable SSDs

DDR70-Mini-40G

Mini single 40GbE-Link capture & record system

- ✓ Max system throughput: 40Gbps
- ✓ Storage: 6TB, 12TB, 25TB*, 30TB, 60TB*
- ✓ SWaP: 10"(254mm)W X 2"(43mm)H X 9"(226mm)D | 7lbs(3.2kg) | ~150W

40GbE-link x 1 **10GbE-link** x 4 **10/100/1000MbE links** Optional



DDR70-Mini-25G-2

Mini dual 25GbE-Link capture & record system

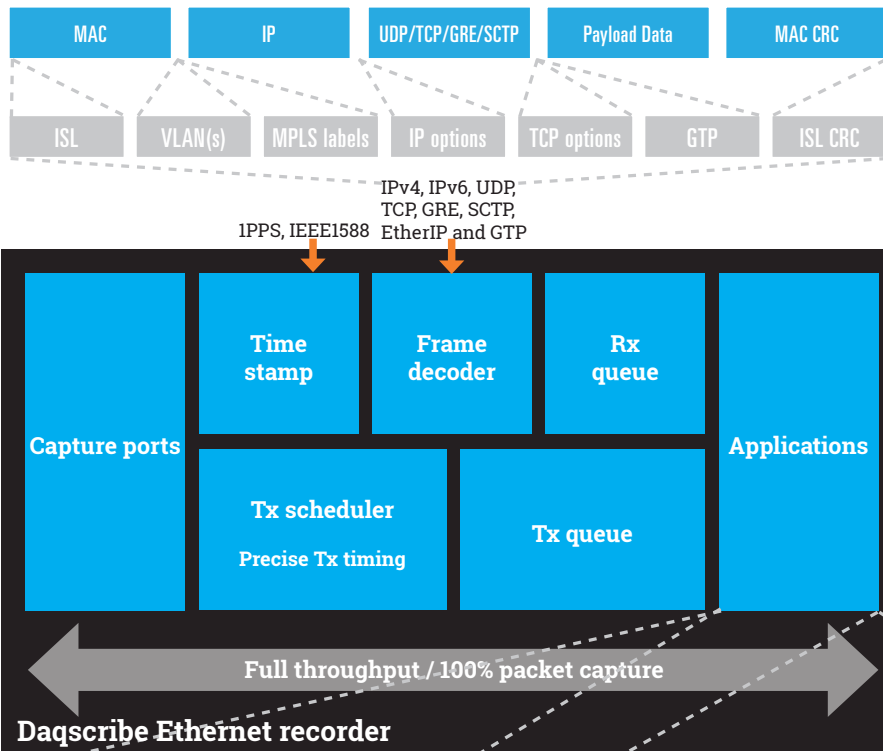
- ✓ Max system throughput: 50Gbps
- ✓ Storage: 6TB, 12TB, 25TB*, 30TB, 60TB*
- ✓ SWaP: 10"(254mm)W X 2"(43mm)H X 9"(226mm)D | 7lbs(3.2kg) | ~150W

25GbE-link x 2 **10GbE-link** **10/100/1000MbE links** Optional

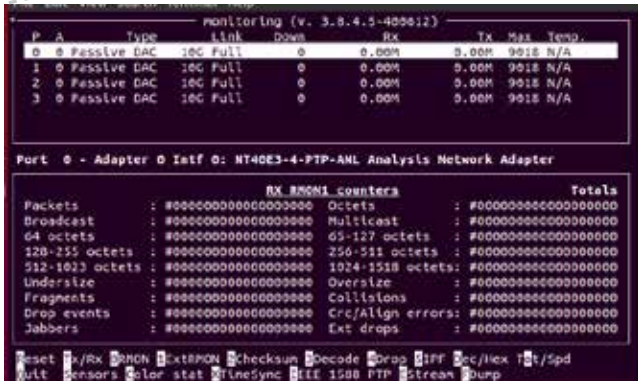


* special configuration

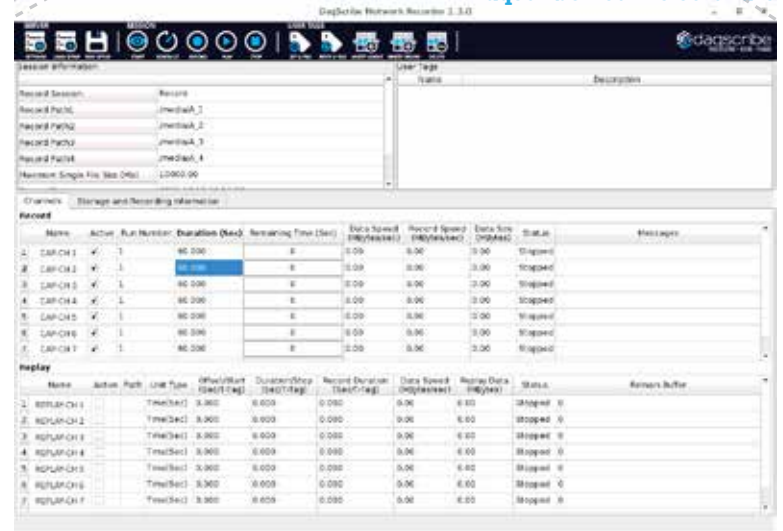
SYSTEM BLOCK DIAGRAM



Daqscribe network monitoring utility



Daqscribe netREC software

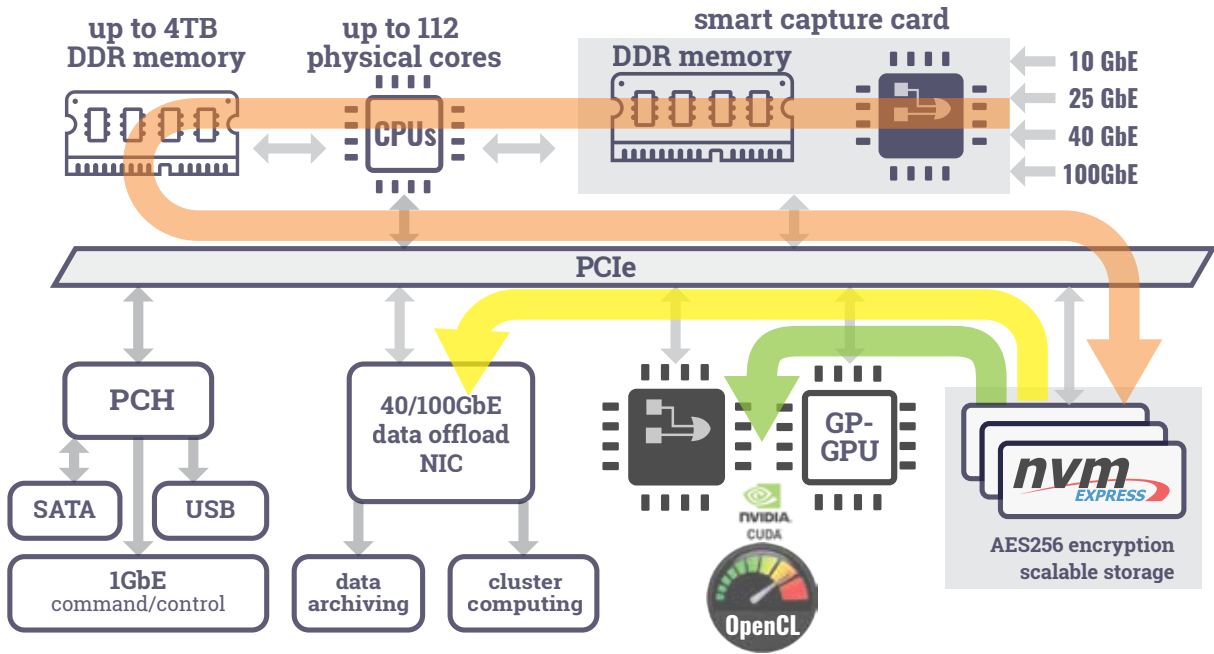


Monitoring tool main features

- ✓ Port statics / RMON counters RX - TX
- ✓ Checksum error counters
- ✓ Packet decode counters
- ✓ Drop counters
- ✓ IPF table counters
- ✓ Sensor monitoring
- ✓ PPS statistics
- ✓ IEEE 1588 PTP

- ✓ Capture/record/playback using simple command line utilities.
- ✓ Playback once or loop-back from a recorded file back to a port.
- ✓ netREC software suite provides full blown record/playback features for long-term operations.

record & compute flow



Daqscribe recorder selection

model name	product name	storage capacity	link speed / number of ports supported			
			100GbE	40GbE	25GbE	10GbE
DDR7000-R-100G	standard 100GbE capture & record system	25TB, 50TB, 180TB	2			
DDR7000-R-40G-2	standard 2 x 40GbE capture & record system	12TB, 25TB, 50TB, 180TB		2		
DDR7000-R-10G-8	standard 8 x 10GbE capture & record system	25TB, 50TB, 180TB				8
DDR7000-R-25G-4	standard 4 x 25GbE capture & record system	25TB, 50TB, 180TB			4	
DDR7000-R-PB	petabyte storage 100GbE capture & record system	1.7PB	2	2	4	8
DDR7000-D	desktop 100GbE capture & record system	25TB, 50TB, 180TB	2	2	4	8
RDR70-Mini-40G	rugged Mini 40GbE capture & record system	6TB, 12TB, 25TB*, 30TB		1	1	4
RDR70-Mini-40G +Krypto500/Krypto1000	rugged Mini 40GbE capture & record system with Krypto500/Krypto1000 installed	6TB, 12TB, 25TB*, 30TB		1	1	4
DDR70-Mini-40G	mini 40GbE capture & record system	6TB, 12TB, 25TB*, 30TB, 60TB*		1		
DDR70-Mini-25G	mini 1 x 25GbE capture & record system	6TB, 12TB, 25TB*, 30TB, 60TB*			1	
DDR70-Mini-20G	mini 2 x 10GbE-link capture & record system	6TB, 12TB, 25TB*, 30TB, 60TB*				2
DDR70-Mini20G +Krypto500/Krypto1000	mini 2 x 10GbE-link capture & record system with Krypto500/Krypto1000 installed	6TB, 12TB, 25TB*, 30TB, 60TB*				2